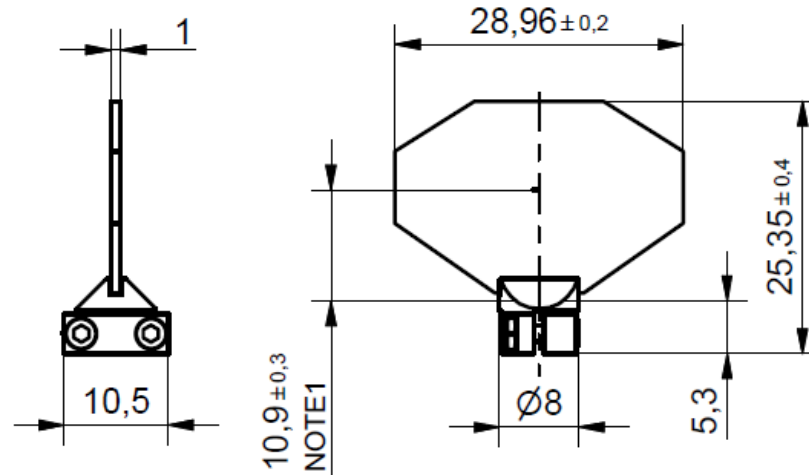


# X 15 FLAT optoSiC+inclusiv glued mount for 5mm shaft

$J = 0,935g \cdot cm^2$   
 $M = 2,49g$



Mirror: 1xP084-A01-0A

## Notes:

1. Dimension from end of the shaft to the center of the clear aperture.
2. Screw size = M1,6x6mm
3. Nut size = M1,6
3. Hex Key Size = 1,5mm
4. Recommended screw torque : 0,25Nm
5. Bore-Diameter 5H7

