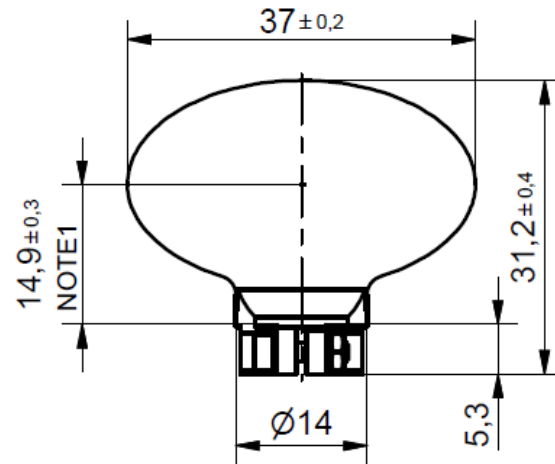
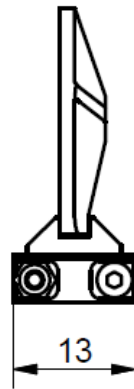


# x20G optoSiC+inclusiv glued mount for 5mm shaft

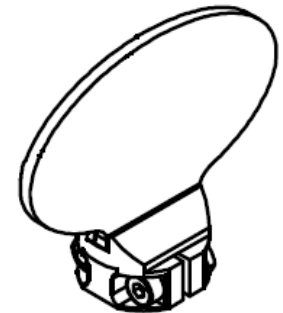
J = 3,81g\*cm<sup>2</sup>  
M = 7,83g



Mirror: X20

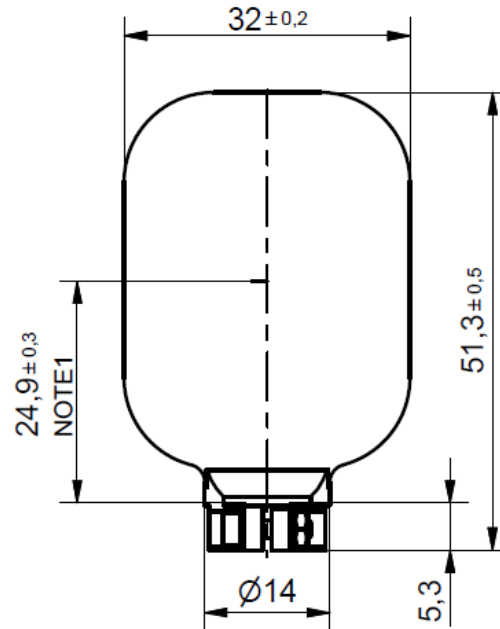
## Notes:

1. Dimension from end of the shaft to the center of the clear aperture.
2. Screw size = M2x8mm
3. Nut size = M2
3. Hex Key Size = 1,5mm
4. Recommended screw torque : 0,6Nm
5. Bore-Diameter 5H7

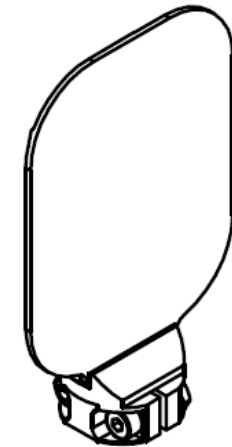


# y20G optoSiC+inclusiv glued mount for 5mm shaft

J = 3,81g\*cm<sup>2</sup>  
M = 9,56g



Mirror: Y20



## Notes:

1. Dimension from end of the shaft to the center of the clear aperture.
2. Screw size = M2x8mm
3. Nut size = M2
3. Hex Key Size = 1,5mm
4. Recommended screw torque : 0,6Nm
5. Bore-Diameter 5H7