

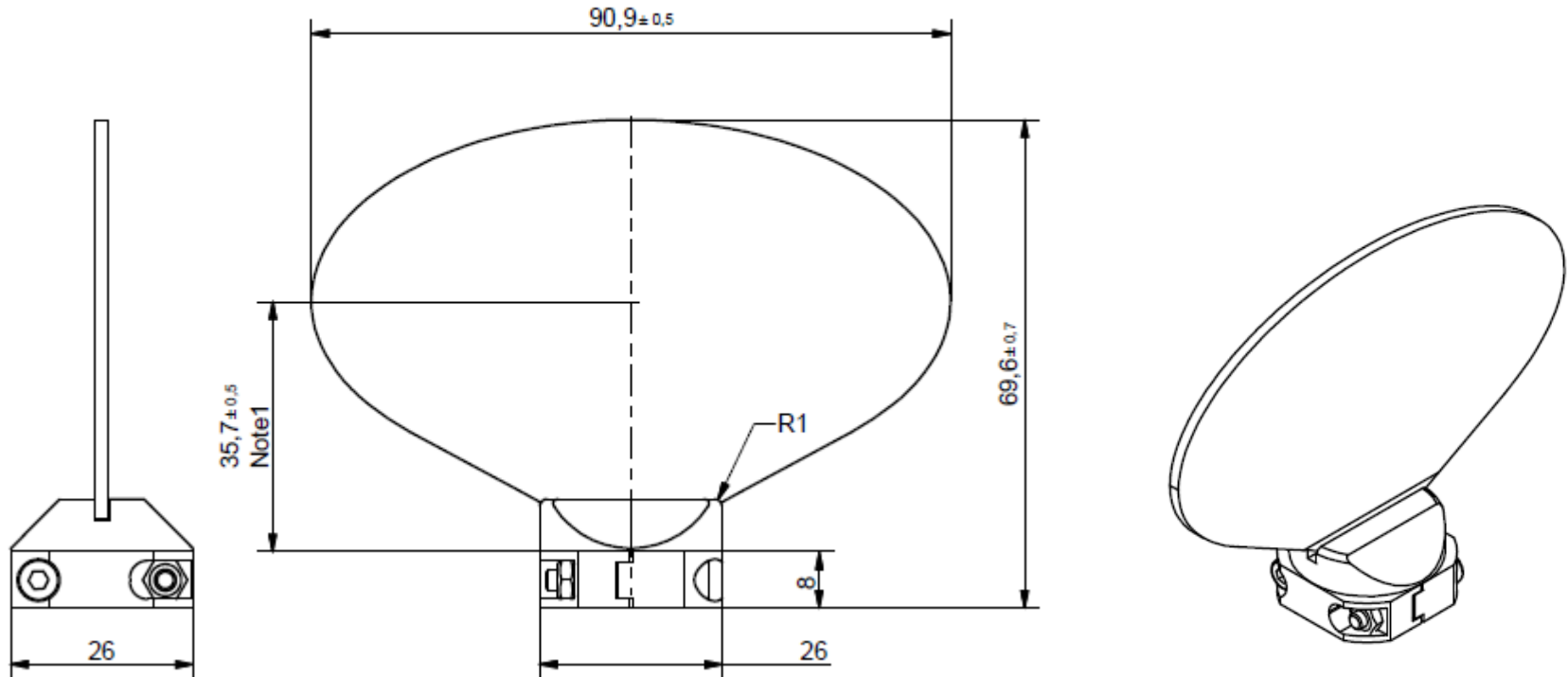
X 50 FLAT optoSiC+inclusiv glued SM-mount for 12 mm shaft



$J = 144g \cdot cm^2$
 $M = 45.6g$

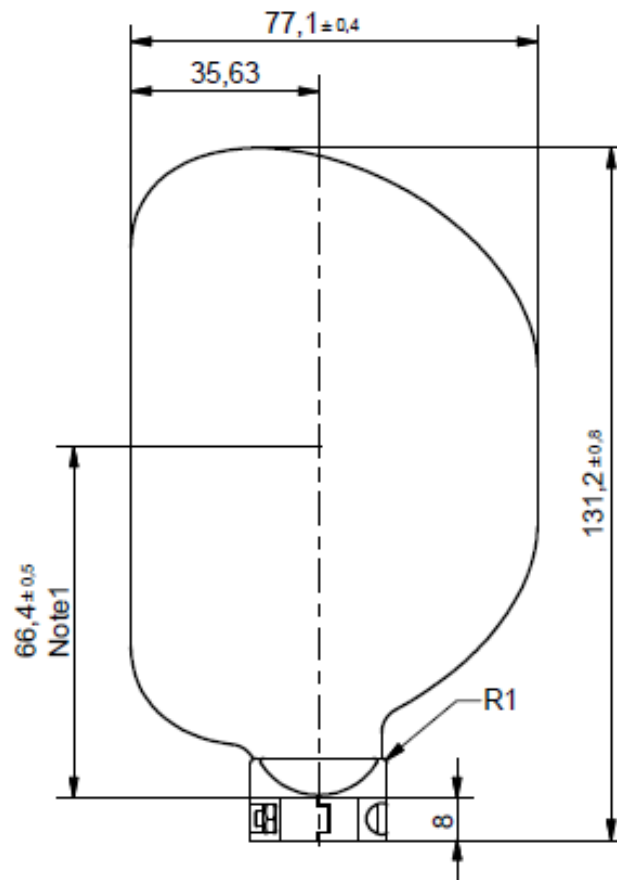
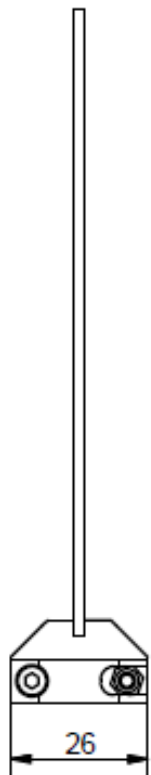
Notes:

1. Dimension from end of the galvo shaft to the center of the clear aperture.
2. Screw size = M3x30mm
3. Nut size = M3
3. Hex Key Size = 2,5mm
4. Recommended screw torque : 1,8Nm
5. Bore-Diameter 12H7



Y 50 FLAT optoSiC+inclusiv glued SM-mount for 12 mm shaft

J = 226g*cm²
M = 69.5g



Notes:

1. Dimension from end of the galvo shaft to the center of the clear aperture.
2. Screw size = M3x30mm
3. Nut size = M3
3. Hex Key Size = 2,5mm
4. Recommended screw torque : 1,8Nm
5. Bore-Diameter 12H7

