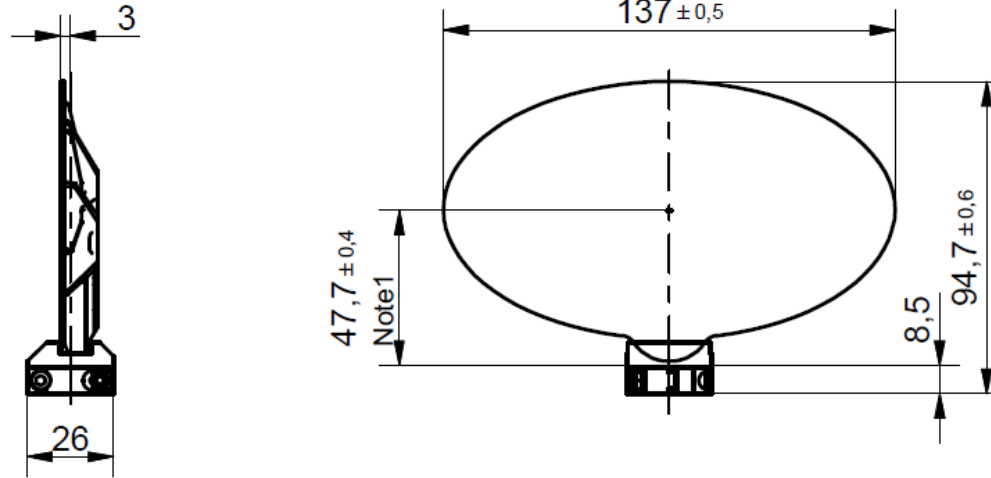


x75G optoSiC+inclusiv glued mount for 12mm shaft

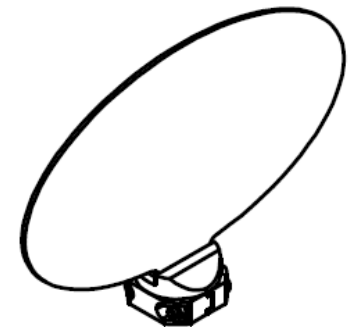
$J = 496\text{g}\cdot\text{cm}^2$
 $M = 85,6\text{g}$



Mirror: X75G

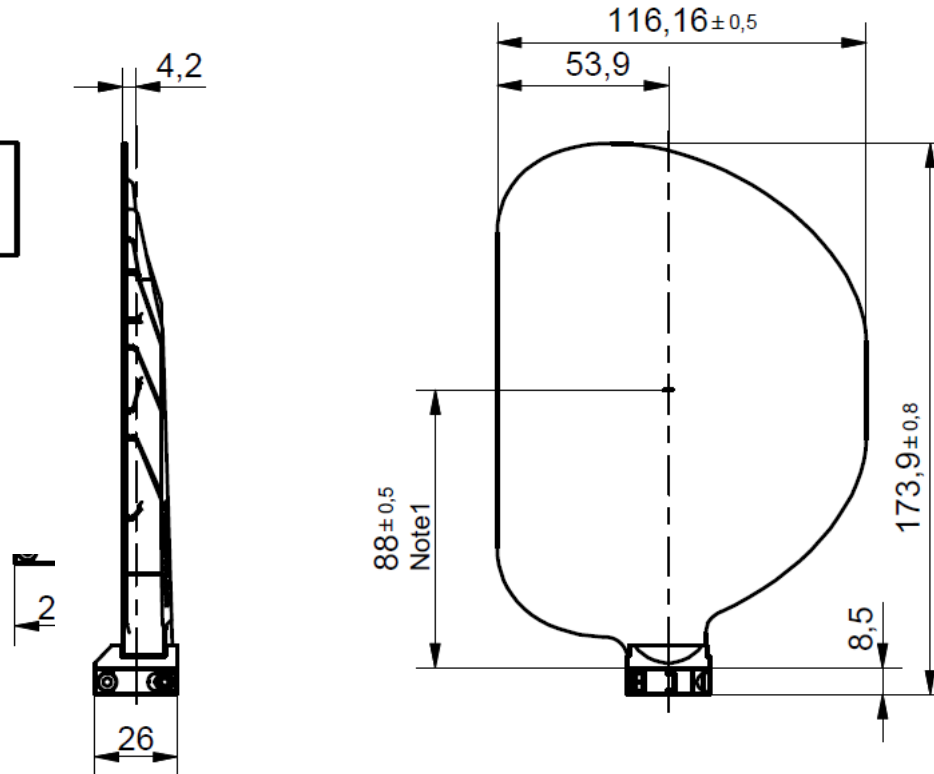
Notes:

1. Dimension from end of the galvo shaft to the center of the clear aperture.
2. Screw size = M3x30mm
3. Nut size = M3
3. Hex Key Size = 2,5mm
4. Recommended screw torque : 1,8Nm
5. Bore-Diameter 12H7

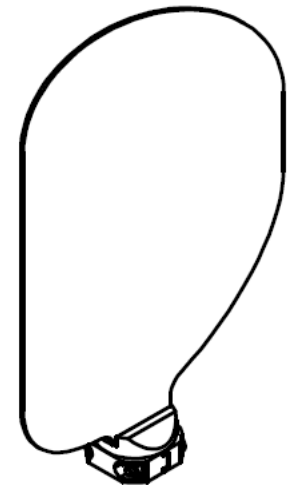


y75G optoSiC+inclusiv glued mount for 12mm shaft

$J = 728\text{g}\cdot\text{cm}^2$
 $M = 153\text{g}$



Mirror: Y75G



Notes:

1. Dimension from end of the galvo shaft to the center of the clear aperture.
2. Screw size = M3x30mm
3. Nut size = M3
3. Hex Key Size = 2,5mm
4. Recommended screw torque : 1,8Nm
5. Bore-Diameter 12H7